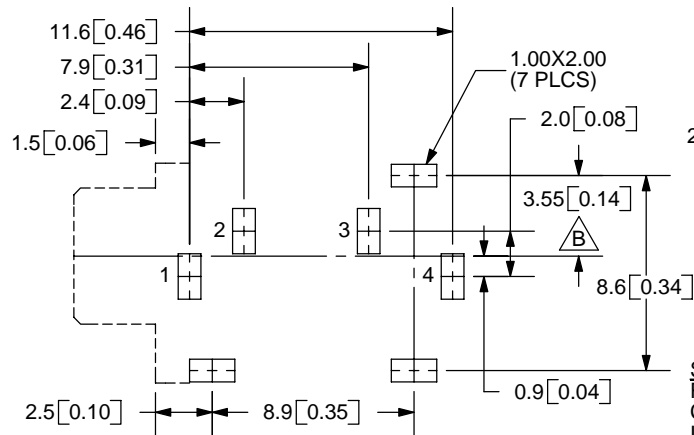
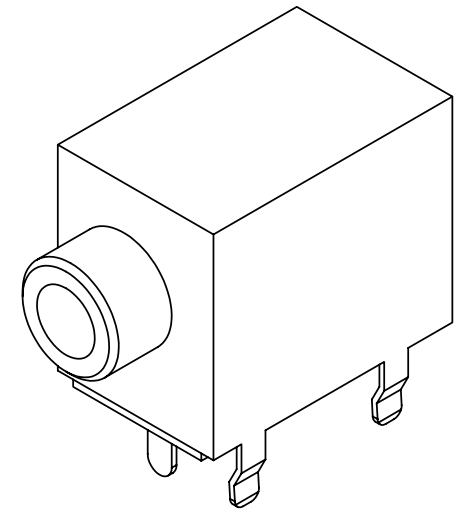
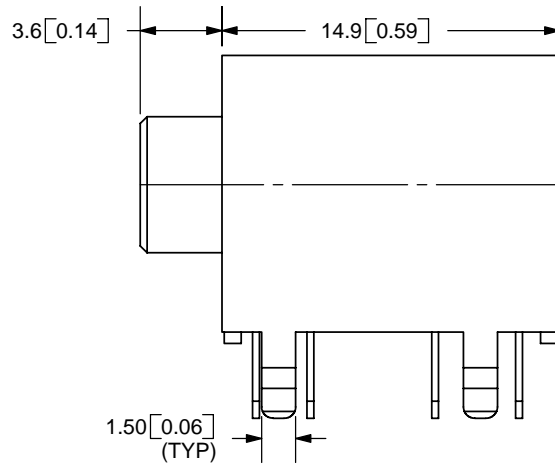
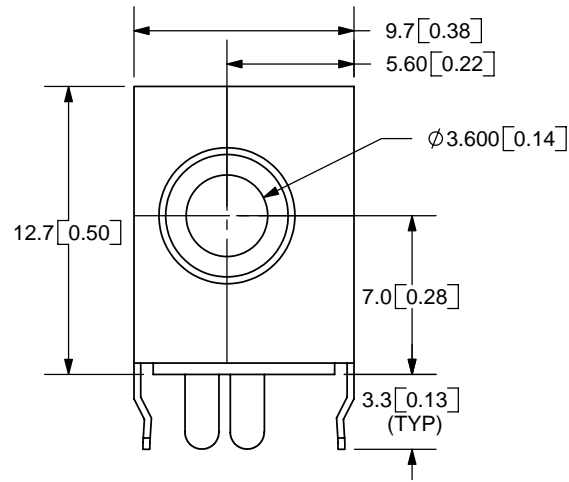
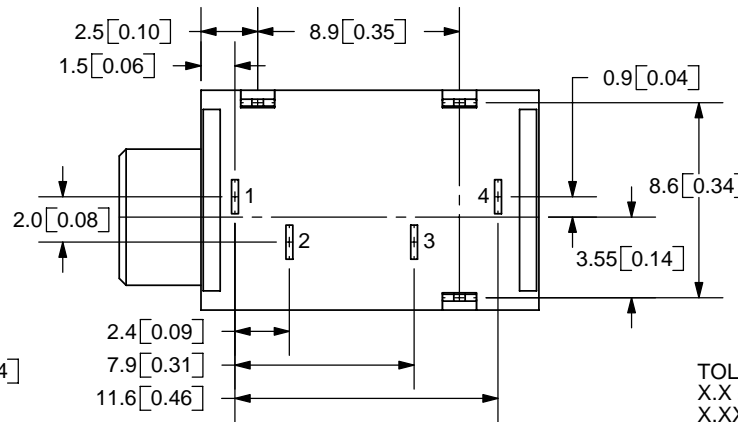


REV.	DESCRIPTION	DATE
A	NEW DRAWING	2/1/2006
B	Added dimensions	4/3/2006



PCB LAYOUT
TOP VIEW



SPECIFICATIONS:
 RATING: 16V DC @ 300mA
 CONTACT RESISTANCE: 30m OHMS MAX
 INSULATION RESISTANCE: 50M OHMS MIN: 500V DC
 VOLTAGE WITHSTAND: 500V AC R.M.S. FOR 1 MINUTE
 LIFE: 5,000 CYCLES

TOLERANCE:
 X.X ±0.2mm
 X.XX ±0.1mm
 X.XXX ±0.05mm



MODEL NO.	SJ1-3534NS
SCHMATIC	

	MATERIAL	PLATING
TERMINAL 1	Brass	Tin
TERMINAL 2	Brass	Tin
TERMINAL 3	Brass	Tin
TERMINAL 4	Brass	Tin
BUSHING	Brass	Nickel
SPRING	Stainless Steel	
SHIELD	Cold Rolled Steel	Tin
HOUSING	PBT	



9615 SW Allen Blvd., Ste. 103
 Beaverton, OR 97005
 Phone: 503-643-4899
 800-275-4899
 Fax: 503-372-1266
 Website: www.cui.com

TITLE:	3.5mm RIGHT ANGLE STEREO JACK	REV:	B
PART NO.	SJ1-3534NS	UNITS:	MM [INCHES]
DRAWN BY:	ZRJ	APPROVED BY:	
		SCALE:	3:1

PC FILE NAME:
 SJ1-3534NS

COPYRIGHT 2005 BY CUI INC.